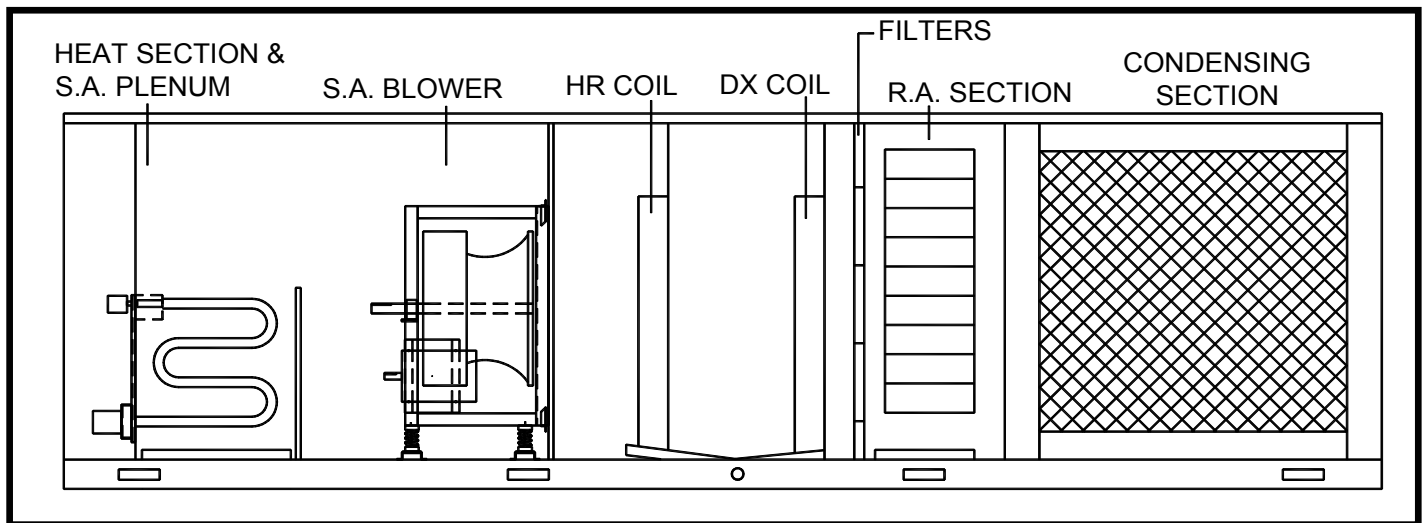




**SEASONS 4**<sup>TM</sup>

Engineering and Manufacturing  
Specialty HVAC Equipment Since 1971

# THE SEASONS-4 CLASSIC



**10 -35 TON**  
**Remodels, Expansions**  
**and New Construction**



## *A Seasons-4 Classic*

- 2" Cabinet Insulation
- Low Velocity 6 row Evaporator
- IAQ Drain Pan Design
- Panel Mounted Disconnect Switch
- Mild Weather Control for Condenser Fans
- Scroll Compressors
- Flat Filters Sealed for IAQ Design
- Filter Rack Accepts 2" Filters
- Integral Curb Mating Flange
- Inside Curb Utility Chases
- Unit Design for Humidity Control
- Electric Panel for Accessories and Single Point Power Connect

Model Designation	Nominal Tons	Nominal CFM	Cooling Capacity MBTUH	Blower HP STD	Auxiliary Heat	
					Max Elec KW	Max Gas Input MBTUH
1SFF19-0101	10	4,000	138.0	5	95	400
1SFF19-0151	15	6,000	204.0	5	95	400
1SJF22-0202	20	8,000	276.6	7.5	140	700
1SJF22-0252	25	10,000	338.4	10	140	800
1SJF22-0302	30	12,000	385.8	10	140	800
1SJF22-0352	35	14,000	425.0	15	140	800

Performance based on 95° FDB Ambient, and Evaporator EAT 80°FDB/67°FWB

### Features:

- Scroll Compressors
- Crankcase Heaters
- All Motors 3 Phase
- 2" Pleated Filters
- Short Cycle Compressor Protection
- Low, High and Fan Cycling Switches
- All Aluminum Exterior Panels
- Stainless Steel Panel Fasteners
- Pump Down Cycle
- Roof Curb
- Airfoil Blower (SWSI)
- Hinged Access Panels for Ease of Service
- Integral Curb Mounting Flange
- Manual 25% Outdoor Air Damper
- Phase Loss Protection
- DX Coil Freezestats
- Unit Mounted Disconnect Switch
- Oversized Blower Motor for ESP up to 2.0"
- Blower and Compressor Isolation
- 6 Row Evaporator Coill

### Options:

- Subcooling for Improved Dehumidification
- Dual Independent Refrigeration Circuits
- Auxiliary Heating
- Auxiliary Reclaim Coil
- Receivers
- Suction Line Filters
- Firestats
- Smoke Detectors
- Environmental Control System
- Low Ambient Controls
- Circuit Breaker
- Many Others



## ENGINEERING DATA

Specifications are subject to change, confirm with Seasons-4 factory for accuracy.

Unit Model	101	151	202	252	302	352
<b>Compressor</b>						
Type	Hermetic Scroll	Hermetic Scroll	Hermetic Scroll	Hermetic Scroll	Hermetic Scroll	Hermetic Scroll
Number	1	1	2	2	2	2
<b>Evaporator Coil(s)</b>						
Face Area (sq-ft)	9.2	13.8	19.4	22.2	27.8	33.3
Rows FPI (standard)	6/8	6/8	6/8	6/8	6/8	6/8
Rows FPI (optional)	8/10	8/10	8/10	8/10	8/10	8/10
<b>Liquid Subcooling Coil(s) (Optional)</b>						
Face Area (sq-ft)	9.2	13.8	19.4	22.2	27.8	33.3
Rows FPI (standard)	6/8	6/8	6/8	6/8	6/8	6/8
<b>Heat Reclaim Coil(s) (Optional) discharge refrigerant from auxiliary refrigeration equipment</b>						
Face Area (sq-ft)	22.2	22.2	27.9	27.9	27.9	27.9
Rows FPI (standard)	4/10	4/10	4/10	4/10	4/10	4/10
<b>Hot Gas Reheat Coil(s) (Optional) discharge refrigerant from integrally mounted a/c compressors</b>						
Face Area (sq-ft)	22.2	22.2	27.9	27.9	27.9	27.9
Rows FPI (standard)	1/10	1/10	1/10	1/10	1/10	1/10
<b>Air-cooled Condenser Coil(s)</b>						
Face Area (sq-ft)	12.9	21.5	32.3	32.3	43.1	43.1
Rows FPI (standard)	4/10	4/10	4/10	4/10	4/10	4/10
<b>Condenser Fans</b>						
Type	Propeller					
No./Diameter	2/30"	2/30"	2/30"	4/30"	4/30"	4/30"
CFM	11,708	15,588	18,460	26,790	31,175	31,175
<b>Condenser Fan Motors</b>						
No./HP	2/1	2/1	2/1	4/1	4/1	4/1
Speed (standard)	1140	1140	1140	1140	1140	1140
Drive	Direct Drive	Direct Drive	Direct Drive	Direct Drive	Direct Drive	Direct Drive
<b>Supply Air Blower</b>						
Type	Airfoil SWSI	Airfoil SWSI	Airfoil SWSI	Airfoil SWSI	Airfoil SWSI	Airfoil SWSI
No./Diameter	1/18.25"	1/22.25"	1/24.5"	1/27"	1/30"	1/33"
Nominal CFM	4,000	6,000	8,000	10,000	12,000	14,000
Nominal Motor HP	5	5	7.5	10	10	15
<b>Auxiliary Heat, Gas, Atmospheric Burner (Optional)</b>						
Maximum Input (MBTUH)	400	400	700	800	800	800
Maximum Output (MBTUH)	320	320	560	640	640	640
<b>Air Filter Section</b>						
Type	2" Pleated Disposable	2" Pleated Disposable	2" Pleated Disposable	2" Pleated Disposable	2" Pleated Disposable	2" Pleated Disposable
ASHRAE Efficiency	30%	30%	30%	30%	30%	30%
Face Area (sq-ft)	16.7	16.7	25	37.5	37.5	37.5
No./Size	6/16x25	6/16x25	4/20x20 4/20x25	6/20x20 6/20x25	6/20x20 6/20x25	6/20x20 6/20x25

Specifications are subject to change, confirm with Seasons-4 factory for accuracy.



## PERFORMANCE DATA AT NOMINAL CFM

### Ent. Air Condition 80/67F

	10 TON	15 TON	20 TON	25 TON	30 TON	35 TON
Total Capacity	138,026	204,028	276,659	338,410	385,807	425,084
Sensible Capacity	96,524	143,623	194,045	238,225	278,960	316,542
Latent Capacity	41,502	60,405	82,614	100,185	106,847	108,542
Moisture Removal lbs/hr	39.2	57.1	78.1	94.7	101.0	102.6
Total Ton Capacity	11.5	17.0	23.1	28.2	32.2	35.4

### Ent. Air Condition 75/62F

	10 TON	15 TON	20 TON	25 TON	30 TON	35 TON
Total Capacity	126,855	187,095	254,571	310,421	353,212	390,141
Sensible Capacity	97,447	144,805	196,033	240,222	280,945	319,116
Latent Capacity	29,408	42,290	58,538	70,199	72,267	71,025
Moisture Removal lbs/hr	2,708.0	40.0	55.3	66.4	68.3	67.1
Total Ton Capacity	10.6	15.6	21.2	25.9	29.4	32.5

### With Optional Subcooling Coil

#### Ent. Air Condition 80/67F

	10 TON	15 TON	20 TON	25 TON	30 TON	35 TON
Total Capacity	133,139	221,643	268,286	334,029	274,592	411,606
Sensible Capacity	84,292	150,499	171,574	213,300	247,984	277,461
Latent Capacity	48,847	71,144	96,712	120,729	126,608	134,145
Moisture Removal lbs/hr	46.2	67.3	91.5	144.2	119.7	126.8
Total Ton Capacity	11.1	18.5	22.4	27.8	31.2	34.3

### With Optional Subcooling Coil

#### Ent. Air Condition 75/62F

	10 TON	15 TON	20 TON	25 TON	30 TON	35 TON
Total Capacity	121,448	205,487	246,293	302,414	340,496	375,338
Sensible Capacity	84,929	152,772	173,114	213,956	249,293	279,347
Latent Capacity	36,519	52,715	72,179	88,458	91,203	95,991
Moisture Removal lbs/hr	34.5	49.9	68.3	83.7	86.3	90.7
Total Ton Capacity	10.1	17.1	20.4	25.2	28.4	31.3

Specifications are subject to change, confirm with Seasons-4 factory for accuracy.



## ELECTRICAL DATA

Unit Model	101	151	202	252	302	352
------------	-----	-----	-----	-----	-----	-----

### Totals for Cooling Only

208V/3/60						
Cooling Amps	66.7	85.0	116.0	140.6	153.8	180.0
Cooling M.C.A.	77.2	100.1	126.5	152.4	168.9	195.1
Cooling M.O.P.	110.0	150.0	150.0	175.0	225.0	250.0
SCCR	65,000	65,000	65,000	65,000	65,000	65,000

460V/3/60						
Cooling Amps	30.8	38.8	53.4	72.4	66.7	66.7
Cooling M.C.A.	35.6	45.6	58.2	78.7	77.2	77.2
Cooling M.O.P.	50.0	70.0	70.0	100.0	110.0	110.0
SCCR	65,000	65,000	65,000	65,000	65,000	65,000

## ELECTRICAL HEAT DATA

KW INPUT	MBH INPUT	208V/3/60		460V/3/60	
		FLA	STAGES	FLA	STAGES
20	68	55.6	2	25.1	1
40	136	111.2	2	50.3	2
60	205	166.7	2	75.4	2
80	273	222.3	2	100.5	2
100	341	277.9	2	125.7	2
120	409	333.5	2	150.8	2
140	478	389.1	2	175.9	2

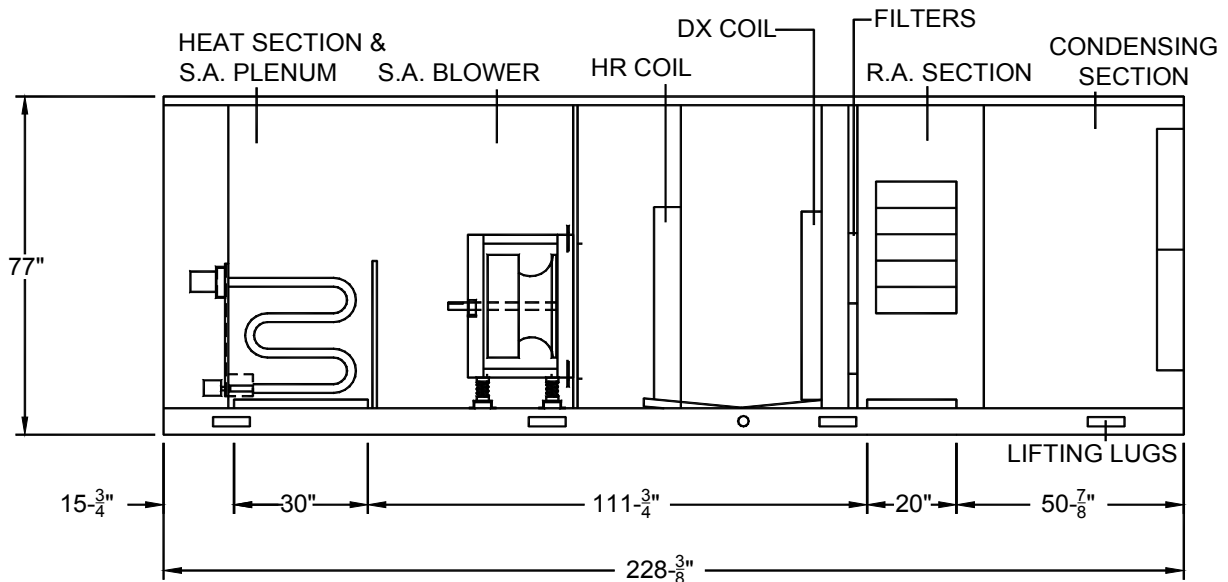
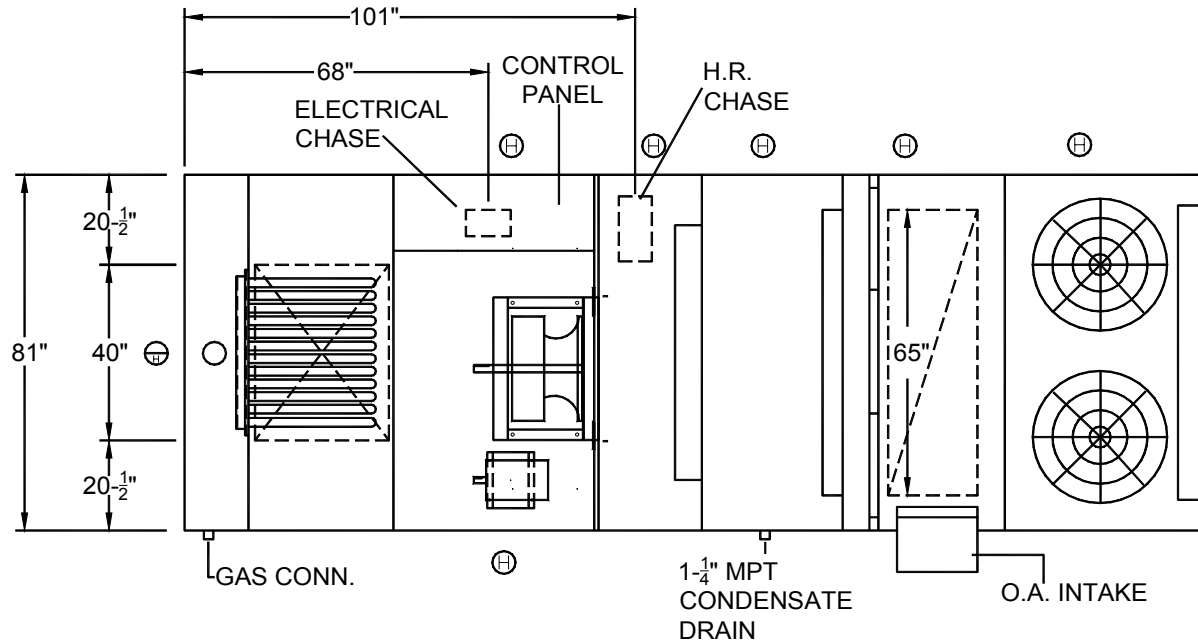
Specifications are subject to change, confirm with Seasons-4 factory for accuracy.



## DIMENSIONAL DATA

### 10-15 TON

### 1SFF19-0xx1-TNx.x-xxHR

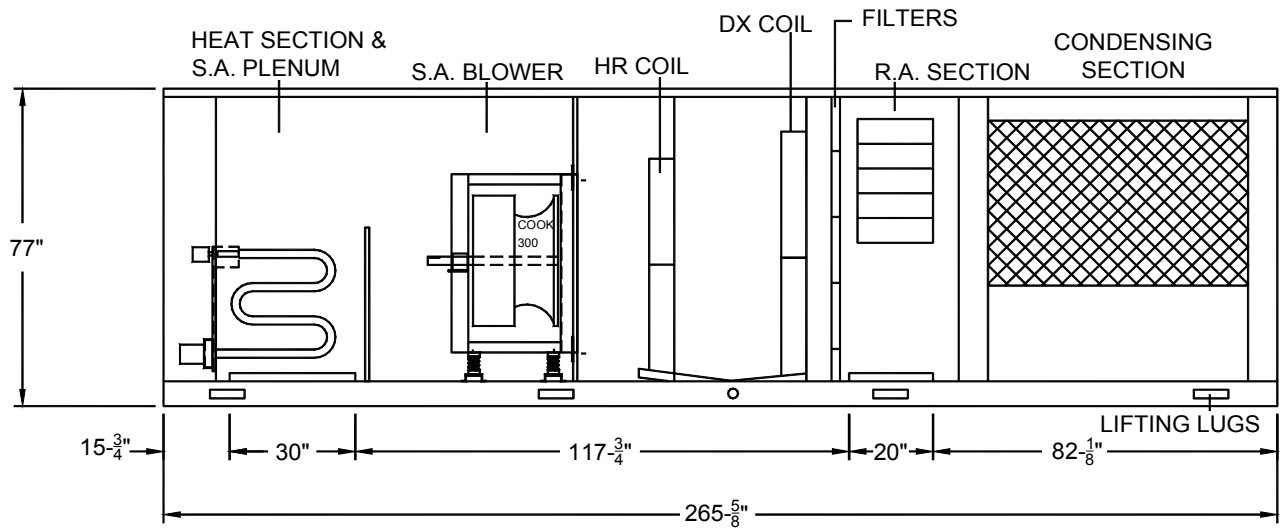
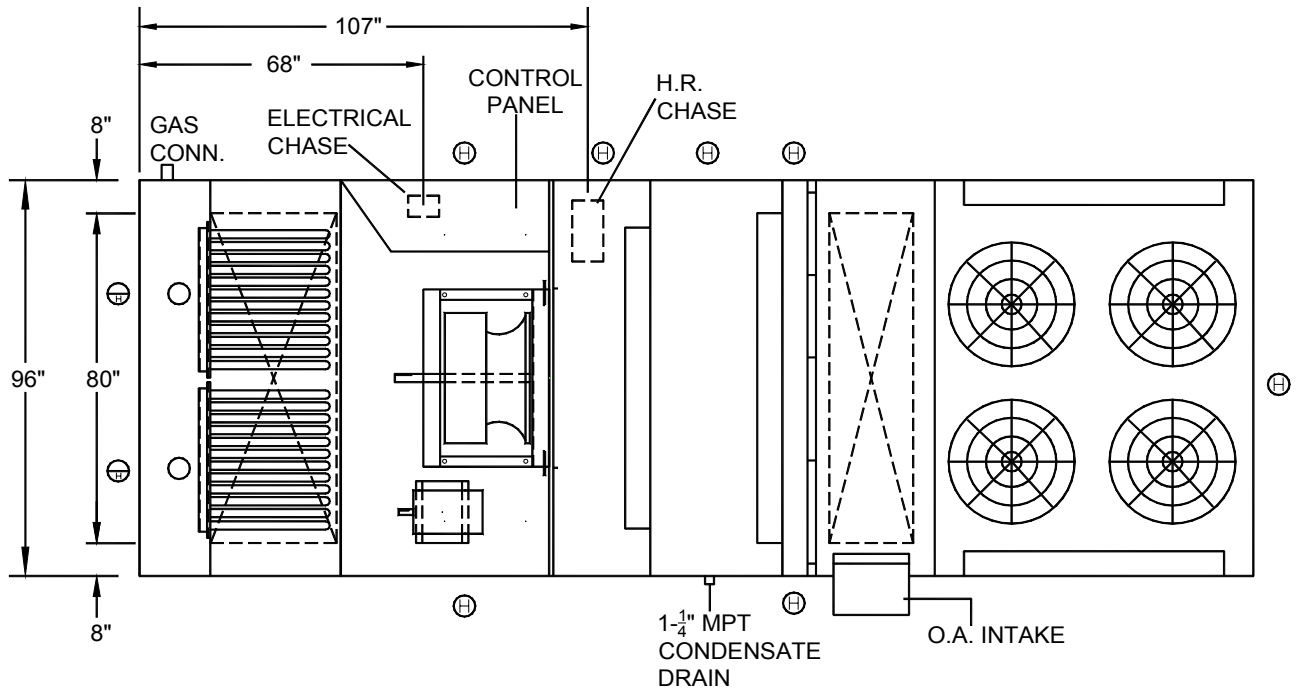


- ⊕ HINGED ACCESS DOOR
- ⊕ LOWER HALF HINGED ACCESS DOOR

# DIMENSIONAL DATA

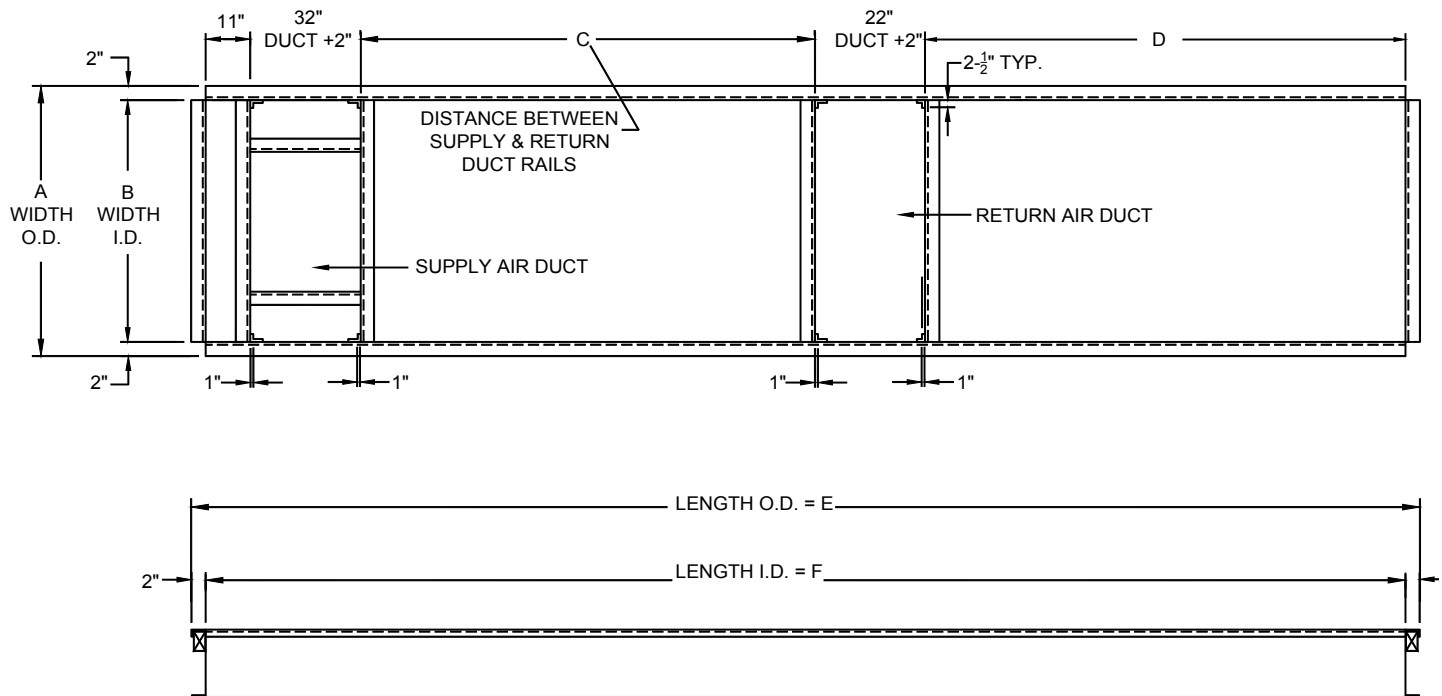
## 20-35 TON

### 1SJF22-0xx2-TNx.x-xxHR



⊕ HINGED ACCESS DOOR  
 ⊕ LOWER HALF HINGED ACCESS DOOR

## TOTAL UNIT CURB



**NOTES:**

- 1) LENGTH & WIDTH OD = TOTAL UNIT OD - 3.5"
- 2) LENGTH & WIDTH ID = TOTAL UNIT OD - 7.5"
- 3) DISTANCE BETWEEN SUPPLY & RETURN DUCT RAILS = DISTANCE BETWEEN DUCTS - 2"
- 4) HEIGHT AND SLOPE TO BE DETERMINED

Model Designation	A	B	C	D	E	F
1SFF19-0101	77 1/2	73 1/2	109 3/4	46 1/8	224 7/8	220 7/8
1SFF19-0151	77 1/2	73 1/2	109 3/4	46 1/8	224 7/8	220 7/8
1SJF22-0202	92 1/2	88 1/2	115 3/4	77 3/8	262 1/8	258 1/8
1SJF22-0252	92 1/2	88 1/2	115 3/4	77 3/8	262 1/8	258 1/8
1SJF22-0302	92 1/2	88 1/2	115 3/4	77 3/8	262 1/8	258 1/8
1SJF22-0352	92 1/2	88 1/2	115 3/4	77 3/8	262 1/8	258 1/8

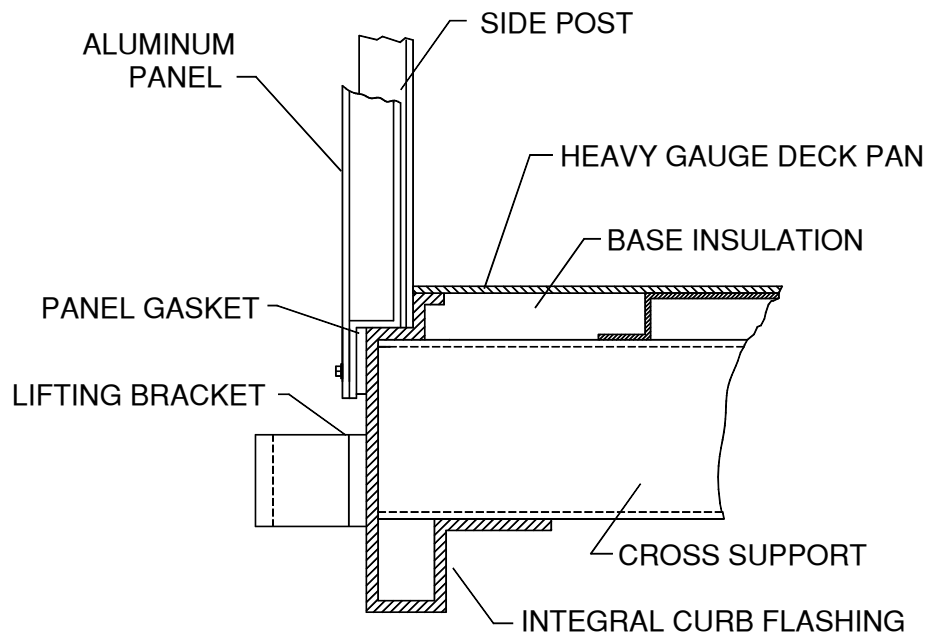
All dimensions in inches



## UNIT WEIGHTS

Unit Model	101	151	202	252	302	352
<b>Basic Unit</b>						
Unit Weight (Std)	4450	4575	6050	6200	6550	7110
<b>Gas Heating</b>						
Add to Unit Weight	200	325	400	575	650	650
<b>Electric Heating</b>						
Add to Unit Weight	130	150	200	200	300	300
<b>Heat Reclaim Coil</b>						
Add to Unit Weight	150	150	300	300	300	300
<b>Sub-Cool / Re-Heat Coil</b>						
Add to Unit Weight	50	50	85	85	85	85
<b>Total Unit Curb</b>						
12" High Curb	435	435	519	519	519	519
16" High Curb	553	553	661	661	661	661

Specifications are subject to change, confirm with Seasons-4 factory for accuracy.



### WELDED UNITARY BASE FRAME

# A SEASONS-4 Classic Series

with

## **BUILT IN DEHUMIDIFICATION**

The Seasons-4 Classic Unit Design allows for built-in moisture removal with LOW Sensible Heat Ratios (SHR). Why use multiple units?

## **ENERGY SAVINGS**

Dehumidification with economy of operation. Unit design optimizes the best of both.

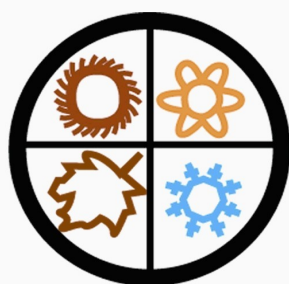
## **IAQ**

Indoor Air Quality issues addressed with a unique drain pan design that gets condensate out of the unit.

## **FLEXIBILITY**

With uniformity of cabinet design, many sizes fit the same curb layout. Ideal for remodels and expansions as well as new construction.

Take a look at the Seasons-4 CLASSIC built-in standards.  
Then look at the many options available to enhance your designs.



SEASONS 4™

Engineering and Manufacturing  
Specialty HVAC Equipment Since 1971